

## Stylish, Creative & Green Planet



HQ & Factory 73, 297 beon-gil, Bupyeong-daero, Bupyeong-gu, Incheon, Korea  
SEOUL, KOREA\_ +82-32-510-3503 MILAN, ITALY\_ +39-348-859-4480  
[www.dgen.com](http://www.dgen.com)

Print in korea. May 2014. Teleios N-E-5



# *Teleios*

*heritage from  
the original "direct print and heat-fixation"*





**Teleios Black 1800mm print width**

**Teleios Black 2500 2500mm print width**

**TAX Free**  
Tax Free available Countries  
for Korean Product under FTA  
USA, EU, India  
Indonesia, Colombia,  
Peru, Turkey,  
ASEAN, Philippines,  
Vietnam, Malaysia  
and more!!







## ***Teleios XL2600***

**2600mm print width**



## ***Teleios Grande G5***

**3300mm print width**





# Teleios

*with Teleios, expand your business, increase your profit.*

## *The world's most installations in the soft-signage market*

By the own int'l patented technology for textile feeding, Teleios has great tact in printing fabric, such as flag, banner, and backlit as well. Even very thin and/or some stretchable fabric can be easily processed with good run-ability all night long printing, without loss.

## *High quality printing featuring eye-catching colors*

Teleios can make flags with great looking prints, front and back, featuring vivid eye-catching colors like rich red, deeper black, with superb color-fastness, water-resistance and excellent penetration.

## *Teleios invite you the fabric world more than over 100 fabric applications*

Teleios can print on most of woven and non-woven polyesters including mesh, canvas, micro fiber, velcro and velvet, etc. to provide a variety of business opportunities including soft-signage, decorative product and trade show, etc.



### **Ricoh's GEN5/GEN4L print head**

In addition to GEN4L print head, which is professionally used for textile printer, Teleios Grande G5 is equipped with the latest print head which provides high resolution of 600dpi with true grey scale.



### **HeatMAN**

It allows high speed heat-fixation and curing of disperse dye and pigment ink. It automatically controls speed and temperature 80~220°C and can handle 80~100 linear m/ hr.



### **patented textile feeding system**

d.gen's unique textile feeding system allows direct printing on most of woven fabrics like flag, display material and the new d.gen power stretch.



### **BIS-5000 ink feeding system (option)**

This easy-to-use 5kg per color large capacity ink feeding system is an open ink system, which allows a stable and continuous ink feeding, even able to refill ink while printing.

*Teleios invites you to the fabric world of more than 100 solutions*



### *Soft-signage on Textile*

Teleios is the world's most installed digital textile printer in the soft-signage area.



*With disperse dye ink and textile pigment ink Teleios covers ultimate range of applications*







*Easy to print textile  
just like printing paper*

### *Soft-signage for in-door / out-door*

By the excellent penetration,  
Flag became great looking front  
and rear  
superb color fastness and water-  
resistance for out door use.



*High quality printing  
featuring eye-catching  
colors*



# Everybody following d·gen but no one reaching d·gen

## Teleios series specification

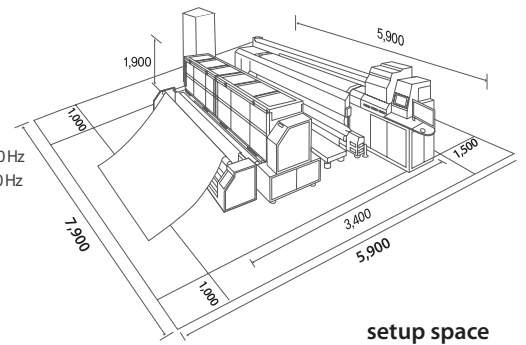
### Teleios Grande GS



**Speed: 185 m<sup>2</sup>/h by 2pass  
width 3300mm**

**Maximum Printing width :** 3,300 mm  
**Printing Method :** Piezo inkjet (Ricoh GEN5)  
**Maximum Resolution :** 1200 dpi  
**External shape :** 5,900 (W) X 1,130 (D) X 1,750 (H) mm  
**Power :**  
 Teleios GT/Grande : AC 380 V, 3 Phase + N+ PE, ±10%, 18 A, 50/60 Hz  
 HeatMAN Grande : AC 380 V, 3 Phase + N+ PE, ±10%, 47 A, 50/60 Hz  
 Fume buster : AC 220 V, 3.4 A, 50/60 Hz

<b>Target Printing Speed</b>	1 pass	300 m <sup>2</sup> /h
	2 pass	185 m <sup>2</sup> /h
	4 pass	98 m <sup>2</sup> /h
	6 pass	60 m <sup>2</sup> /h



setup space

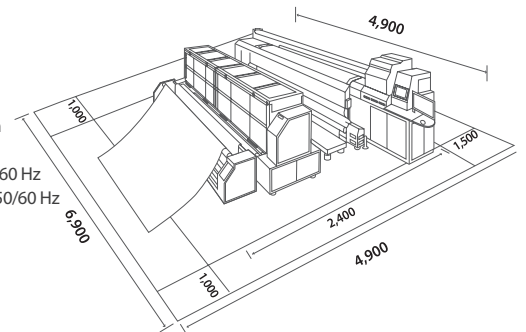
### Teleios XL2600



**Speed: 150 m<sup>2</sup>/h by 2pass  
Width 2600mm**

**Maximum Printing width :** 2,600 mm  
**Printing Method :** Piezo inkjet (Ricoh GEN5)  
**Maximum Resolution :** 1200 dpi  
**External shape :** 4,900 (W) X 1,200 (D) X 1,750 (H) mm  
**Power :**  
 Teleios XL : AC 380 V, 3 Phase + N+ PE, ±10%, 17 A, 50/60 Hz  
 HeatMAN XL : AC 380 V, 3 Phase + N+ PE, ±10%, 18 A, 50/60 Hz  
 Fume buster : AC 220 V, 3.4 A, 50/60 Hz

<b>Target Printing Speed 6color</b>	2 pass	150 m <sup>2</sup> /h
	3 pass	100 m <sup>2</sup> /h
	4 pass	80 m <sup>2</sup> /h
	6 pass	48 m <sup>2</sup> /h



setup space

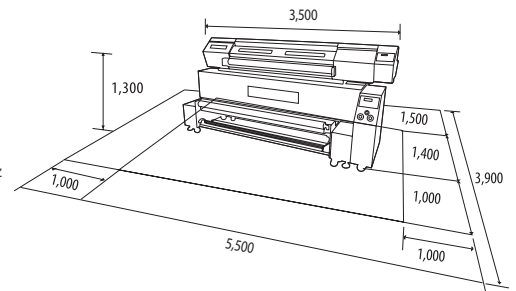
### Teleios Black 2500



**Speed: 38 m<sup>2</sup>/h by 4pass  
width 2500 mm**

**Maximum Printing width :** 2,500 mm  
**Printing Method :** Piezo inkjet  
**Maximum Resolution :** 1,440dpi  
**External shape :** 3,500 (W) X 1,300 (D) X 1,400 (H) mm  
**Power :**  
 Printer : AC 220-240V, 3.6A, 50/60Hz  
 Heat Fixation Unit & Others : AC 380V, 3phase 3N+PE, 15A, 50/60Hz

<b>Target Printing Speed</b>	2 pass	64 m <sup>2</sup> /h
	4 pass	38 m <sup>2</sup> /h
	6 pass	26 m <sup>2</sup> /h
	8 pass	19 m <sup>2</sup> /h



setup space

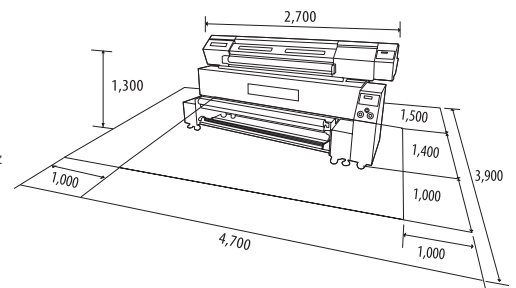
### Teleios Black



**Speed: 32 m<sup>2</sup>/h by 4pass  
Width 1800mm**

**Maximum Printing width :** 1,800 mm  
**Printing Method :** Piezo inkjet  
**Maximum Resolution :** 1,440dpi  
**External shape :** 2,700 (W) X 1,300 (D) X 1,400 (H) mm  
**Power :**  
 Printer : AC 220-240V, 3.6A, 50/60Hz  
 Heat Fixation Unit & Others : AC 380V, 3phase 3N+PE, 15A, 50/60Hz

<b>Target Printing Speed</b>	2 pass	64 m <sup>2</sup> /h
	4 pass	32 m <sup>2</sup> /h
	6 pass	21 m <sup>2</sup> /h
	8 pass	16 m <sup>2</sup> /h



setup space

\*d.gen, Inc. may change the product and/or media specifications or accessories without any prior notice and has no liability for printing results in any case, d.gen, Inc. is not responsible for any incidental and/or inevitable damage from using this product.